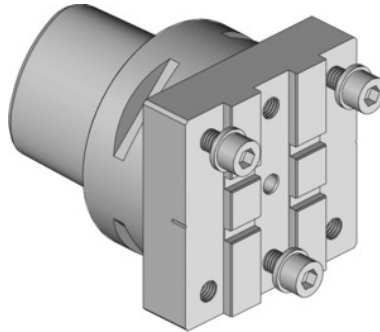


Garant
Modular toolholder, Type: PSC63

Order data

Order number	319135 PSC63
GTIN	4045197781031
Item class	31V

Description
Advantage:

Precisely adjustable tip height, permitting ideal machining results with consistent tool life. Turret misalignments can be compensated.

Suitable for :

VDI40M1 and 40M2 - MAZAK Nexus Quick-Turn 100, 150, 200, 250.

Length L: 63 mm

Width B: 63 mm

Height H: 38 mm

suitable for parting-off blade holder: Type 1

Technical description

Width B	63 mm
Height H	38 mm
Length L	63 mm
suitable for parting-off blade holder	Type 1
Type of product	Toolholder for parting-off tools

