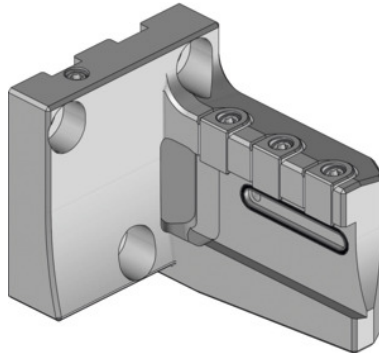


Garant
eco parting-off toolholder Type 2, Version: RL

Order data

Order number	319141 RL
GTIN	4045197781093
Item class	31V

Description
Version:

Slim design in 4 versions. Can be mounted turned through 180° for normal and overhead use. Optimum tool combination for grooving and parting-off operations between or close to headstock or tailstock, with minimum tool overhang.

Application:

For use on radial turrets and in milling spindles on milling-turning centres.

For use of eco grooving tools No. 273864 – 273866, No. 273562 and 273564.

Note:

Lateral coolant feed for eco grooving tools.

Versions RR and LR for using the grooving tool No. 273864. Versions RL and LL for grooving tool No. 273865. Versions RR and LL for grooving tool No. 273866.

Suitable stepless adjustable clamps No. 279840 2 and suitable screws No. 279815 14. See spare parts list.

The parting-off tools No. 273562 and 273564 can only be used on the RR and LL holders.

Technical description

Radius R_2	50 mm
Height H_1	14.5 mm

Width B	83 mm
Radius R ₁	117 mm
Version	RL
Height H ₂	65 mm
Type of product	Grooving insert holder