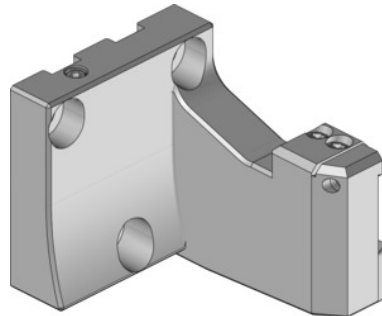


Garant**eco parting-off toolholder Varioline type 1, Version: RR****Order data**

Order number	319145 RR
GTIN	4045197781123
Item class	31V

Description**Version:**

Slim design in 4 versions. Can be mounted turned through 180° for normal and overhead use. Optimum tool combination for grooving and parting-off operations between or close to headstock or tailstock, with minimum tool overhang.

Application:

For use on radial turrets and in milling spindles on milling-turning centres.

For use of eco grooving tools No. 273864 – 273866, No. 273562 and 273564.

Note:

Lateral coolant feed for eco grooving tools.

Versions RR and LR for using the grooving tool 273864. Versions RL and LL for grooving tool 273865. Versions RR and LL for grooving tool 273866.

Suitable stepless adjustable clamps No. 279841 2 and suitable screws No. 279815 14. See spare parts list.

Width B: 65 mm

Height H₁: 14.5 mm

Height H₂: 61 mm

Radius R₁: 95 mm

Technical description

Width B	65 mm
Height H ₁	14.5 mm
Radius R ₁	95 mm
Version	RR
Height H ₂	61 mm
Type of product	Grooving insert holder