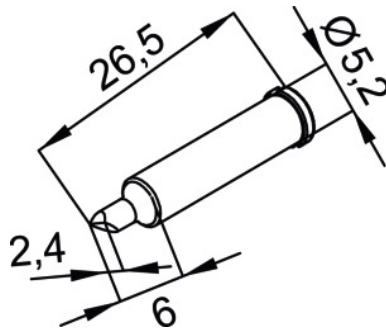


**Soldering tip, Manufacturer's designation: CDLF24A****Order data**

Order number	082401 CDLF24A
GTIN	4003008100594
Item class	04K

Description

Soldering tip CDLF24A Soldering tip width: 1.6 mm
suitable for: 082301

Technical description

suitable for	082301
Soldering tip width	1.6 mm
Manufacturer's designation	CDLF24A
Type of product	Tip