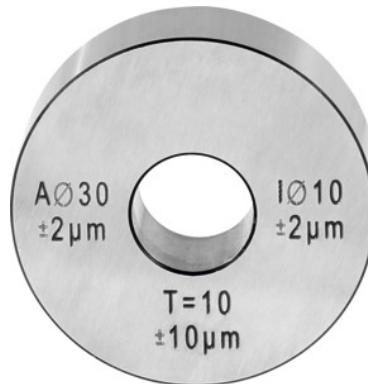


**Calibration Setting master, Type: E****Order data**

Order number	028680 E
GTIN	2050002057388
Item class	49X

**Technical description**

Calibration	L13
-------------	-----