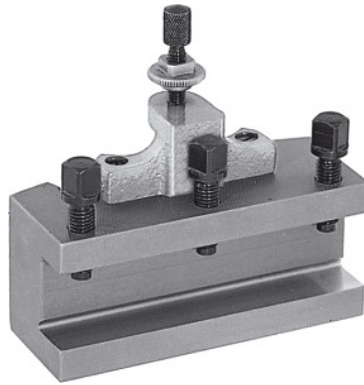




Quick-change turning toolholder, Type: E25/100



Order data

Order number	318100 E25/100
GTIN	2050002067509
Item class	36A

Description

Version:

With flat tool base. Equipped with locking height adjustment screw and 3 tool clamping screws.

Note:

When ordering spare parts No. 318110 – 318130 please state the spare part number and the size of the quick-change lathe tool post A, B C or E.

Technical description

Height of the toolholder	25 mm
Type	E25/100
Length	100 mm
Thickness of tool support W	12 mm
Suitable for No. 318000	E
Type of product	Steel toolholder

