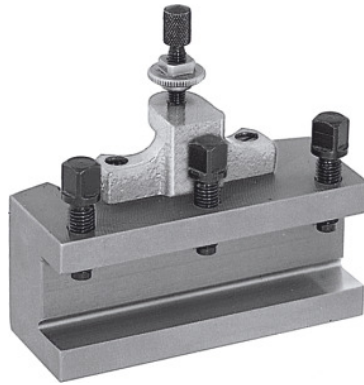




## Quick-change turning toolholder, Type: E20/100



### Order data

Order number	318100 E20/100
GTIN	2050002064591
Item class	36A

### Description

**Version:**

With flat tool base. Equipped with locking height adjustment screw and 3 tool clamping screws.

**Note:**

When ordering spare parts No. 318110 – 318130 please state the spare part number and the size of the quick-change lathe tool post A, B C or E.

### Technical description

Height of the toolholder	20 mm
Length	100 mm
Type	E20/100
Suitable for No. 318000	E
Thickness of tool support W	10 mm
Type of product	Steel toolholder

