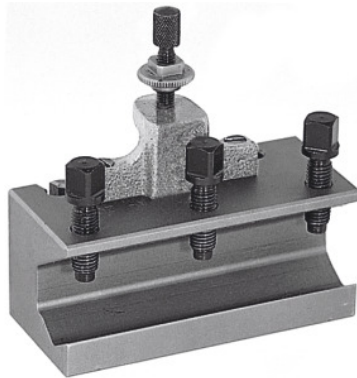




## Quick-change boring bar holder, Type: E



### Order data

Order number	318200 E
GTIN	2050002067516
Item class	36A

### Description

#### Application:

For holding boring bars and other tools with a cylindrical shank. Equipped with locking height adjustment screw and 3 tool clamping screws.

### Technical description

Type	E
Suitable for No. 318000	E
Length	100 mm
for boring bar $\varnothing$	20 mm
Type of product	Steel toolholder