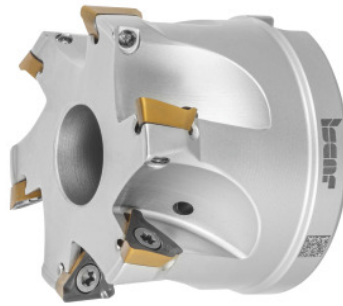




HELI3MILL shoulder mill, with bore, \varnothing DC / number of effective cutting edges Z: 40/5mm



Order data

Order number	226486 40/5
GTIN	7291075314076
Item class	19D

Description

Version:

Reliable shoulder milling system for a wide range of applications. Versions in two system sizes with cutting edge lengths in 10 and 15 mm. Optimally supported Trigon indexable inserts in the seat ensure true 90° shoulders. Ideally suited for circular interpolation milling operations and ramping.

Spare part:

Pack of indexable insert screws No. **229695 1** (TX10; 3.2 Nm).

Technical description

$\varnothing D_3$	36 mm
Mounting bore \varnothing	16 mm
Circular interpolation milling $\varnothing D_{\max}$	79 mm
Overall length L_{tot}	40 mm
Ramping angle α_{\max}	1.6 degrees

Number of cutting edges Z	5
Circular interpolation milling $\varnothing D_{\min}$	76.4 mm
Ramping length L for α_{\max}	289.98 mm
Circular interpolation milling a_p	3.2 mm
Series	HELI3MILL
Cutting edge $\varnothing D_c$	40 mm
Manufacturer's designation	HM390 FTP D040-5-16-10
Shank type	with bore
Setting angle κ	90 degrees
Milling application	Ramping
Milling application	Plunging
Milling application	Circular milling
Through-coolant	yes
Machining strategy	HPC
Type of product	End / face mill

Accessories

Set of insert screws 5 pieces Type 1	229695 1
--------------------------------------	----------