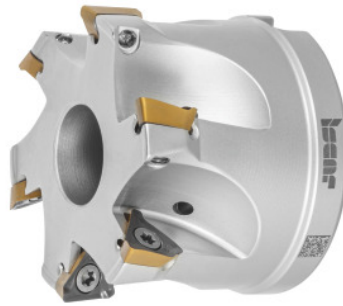




## HELI3MILL shoulder mill, with bore, $\varnothing$ DC / number of effective cutting edges Z: 63/6Smm



### Order data

Order number	226486 63/6S
GTIN	7291075314106
Item class	19D

### Description

#### Version:

Reliable shoulder milling system for a wide range of applications. Versions in two system sizes with cutting edge lengths in 10 and 15 mm. Optimally supported Trigon indexable inserts in the seat ensure true 90° shoulders. Ideally suited for circular interpolation milling operations and ramping.

#### Spare part:

Pack of indexable insert screws No. **229695 1** (TX10; 3.2 Nm).

### Technical description

Ramping length L for $\alpha_{\max}$	515.62 mm
Mounting bore $\varnothing$	27 mm
Number of cutting edges Z	6
Circular interpolation milling $\varnothing D_{\max}$	125 mm
Circular interpolation milling $\varnothing D_{\min}$	122.4 mm

Ø D <sub>3</sub>	59 mm
Series	HELI3MILL
Overall length L <sub>tot</sub>	45 mm
Ramping angle α <sub>max</sub>	0.9 degrees
Circular interpolation milling a <sub>p</sub>	2.9 mm
suitable indexable insert	TP..1003..
Cutting edge Ø D <sub>c</sub>	63 mm
Manufacturer's designation	HM390 FTP D063-6-27-10
Shank type	with bore
Setting angle κ	90 degrees
Milling application	Ramping
Milling application	Plunging
Milling application	Circular milling
Through-coolant	yes
Machining strategy	HPC
Type of product	End / face mill

## Accessories

Set of insert screws 5 pieces Type 1	229695 1
--------------------------------------	----------