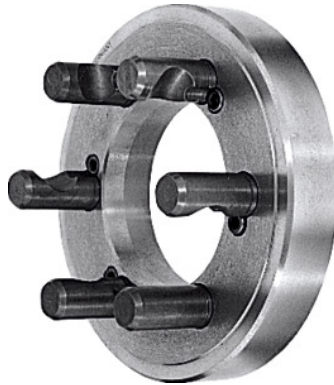




## Short taper chuck flange, ASA B5.9 D1, DIN 55029, Ø d1 / taper: 160/5 mm



### Order data

Order number	317700 160/5
GTIN	4019208028484
Item class	33R

### Description

#### Version:

Finish machined on all sides.

#### Application:

**For retrofitting** to lathe chucks with recessed mount to DIN 6350 A. **Lathe chucks with incorporated short tapers are preferable due to shorter overhang.**

For spindle noses **ASA B 5.9 version D 1** (Camlock) and **DIN 55029**.

#### Material:

Special cast iron.

Taper Ø d<sub>2</sub>: 82.575 mm

Thickness B: 31 mm

Number of camlock bolts: 6

### Technical description

Taper size	5
Thickness B	31 mm
Number of camlock bolts	6

Taper $\varnothing d_2$	82.575 mm
External $\varnothing d_1$	160 mm
Type of product	Lathe chuck accessories