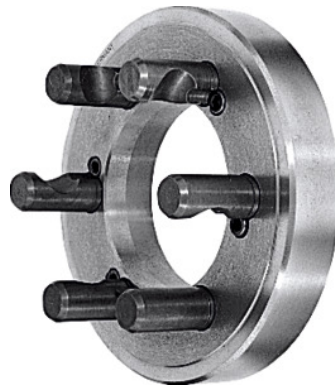




## Short taper chuck flange, ASA B5.9 D1, DIN 55029, Ø d1 / taper: 200/5 mm



### Order data

Order number	317700 200/5
GTIN	4019208028514
Item class	33R

### Description

#### Version:

Finish machined on all sides.

#### Application:

**For retrofitting** to lathe chucks with recessed mount to DIN 6350 A. **Lathe chucks with incorporated short tapers are preferable due to shorter overhang.**

For spindle noses **ASA B 5.9 version D 1** (Camlock) and **DIN 55029**.

#### Material:

Special cast iron.

Taper Ø d<sub>2</sub>: 82.575 mm

Thickness B: 31 mm

Number of camlock bolts: 6

### Technical description

Number of camlock bolts	6
External Ø d <sub>1</sub>	200 mm
Thickness B	31 mm

Taper $\varnothing d_2$	82.575 mm
Taper size	5
Type of product	Lathe chuck accessories