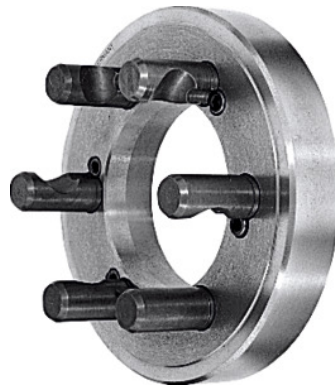




Short taper chuck flange, ASA B5.9 D1, DIN 55029, Ø d1 / taper: 200/6 mm



Order data

Order number	317700 200/6
GTIN	4019208078915
Item class	33R

Description

Version:

Finish machined on all sides.

Application:

For retrofitting to lathe chucks with recessed mount to DIN 6350 A. **Lathe chucks with incorporated short tapers are preferable due to shorter overhang.**

For spindle noses **ASA B 5.9 version D 1** (Camlock) and **DIN 55029**.

Material:

Special cast iron.

Taper Ø d₂: 106.39 mm

Thickness B: 36 mm

Number of camlock bolts: 6

Technical description

External Ø d ₁	200 mm
Thickness B	36 mm
Taper Ø d ₂	106.39 mm

Taper size	6
Number of camlock bolts	6
Type of product	Lathe chuck accessories