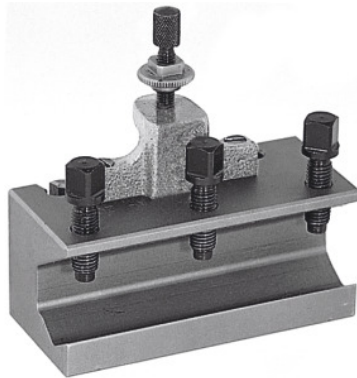




## Quick-change boring bar holder, Type: AA



### Order data

Order number	318200 AA
GTIN	4045197316080
Item class	36A

### Description

#### Application:

For holding boring bars and other tools with a cylindrical shank. Equipped with locking height adjustment screw and 3 tool clamping screws.

### Technical description

Type	AA
Suitable for No. 318000	AA
for boring bar $\varnothing$	12 mm
Length	50 mm
Type of product	Steel toolholder