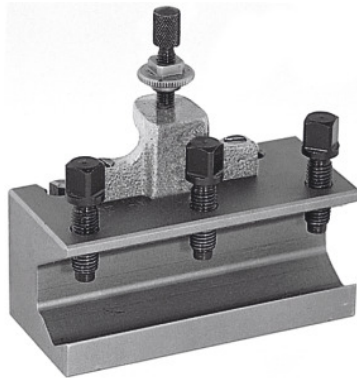




Quick-change boring bar holder, Type: A



Order data

Order number	318200 A
GTIN	4045197316097
Item class	36A

Description

Application:

For holding boring bars and other tools with a cylindrical shank. Equipped with locking height adjustment screw and 3 tool clamping screws.

Technical description

Type	A
Suitable for No. 318000	A
for boring bar \varnothing	20 mm
Length	85 mm
Type of product	Steel toolholder