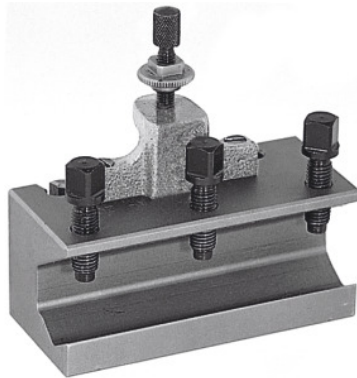




## Quick-change boring bar holder, Type: B



### Order data

Order number	318200 B
GTIN	4045197316103
Item class	36A

### Description

#### Application:

For holding boring bars and other tools with a cylindrical shank. Equipped with locking height adjustment screw and 3 tool clamping screws.

### Technical description

Type	B
for boring bar $\varnothing$	32 mm
Length	130 mm
Suitable for No. 318000	B
Type of product	Steel toolholder

### Accessories

Vee block base

318210