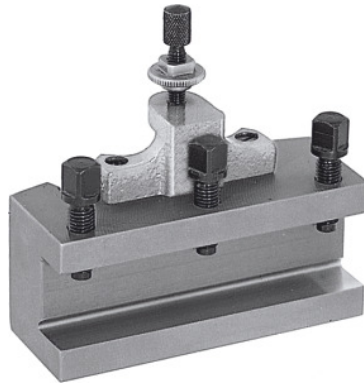




Quick-change turning toolholder, Type: C32/150



Order data

Order number	318100 C32/150
GTIN	4045197315816
Item class	36A

Description

Version:

With flat tool base. Equipped with locking height adjustment screw and 3 tool clamping screws.

Note:

When ordering spare parts No. 318110 – 318130 please state the spare part number and the size of the quick-change lathe tool post A, B C or E.

Technical description

Length	150 mm
Height of the toolholder	32 mm
Type	C32/150
Thickness of tool support W	17 mm
Suitable for No. 318000	C
Type of product	Steel toolholder

