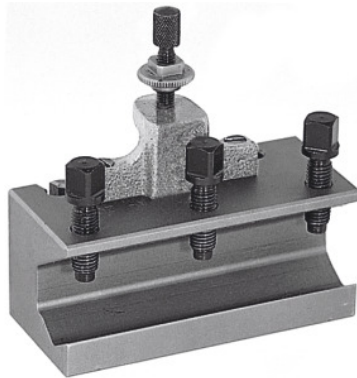




Quick-change boring bar holder, Type: C50



Order data

Order number	318200 C50
GTIN	4045197316127
Item class	36A

Description

Application:

For holding boring bars and other tools with a cylindrical shank. Equipped with locking height adjustment screw and 3 tool clamping screws.

Technical description

Length	160 mm
Suitable for No. 318000	C
for boring bar \varnothing	50 mm
Type	C50
Type of product	Steel toolholder