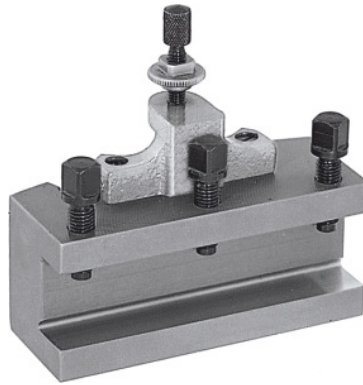




Quick-change turning toolholder, Type: C40/170



Order data

Order number	318100 C40/170
GTIN	4045197315847
Item class	36A

Description

Version:

With flat tool base. Equipped with locking height adjustment screw and 3 tool clamping screws.

Note:

When ordering spare parts No. 318110 – 318130 please state the spare part number and the size of the quick-change lathe tool post A, B C or E.

Technical description

Type	C40/170
Suitable for No. 318000	C
Length	170 mm
Height of the toolholder	40 mm
Thickness of tool support W	18 mm
Type of product	Steel toolholder

