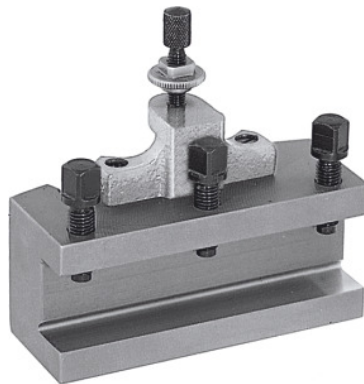




## Quick-change turning toolholder, Type: A20/75



### Order data

Order number	318100 A20/75
GTIN	4045197315755
Item class	36A

### Description

#### Version:

With flat tool base. Equipped with locking height adjustment screw and 3 tool clamping screws.

#### Note:

When ordering spare parts No. 318110 – 318130 please state the spare part number and the size of the quick-change lathe tool post A, B C or E.

### Technical description

Suitable for No. 318000	A
Height of the toolholder	20 mm
Length	75 mm
Thickness of tool support W	10 mm
Type	A20/75
Type of product	Steel toolholder

