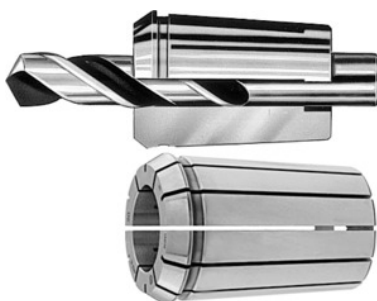


FAHRION®
FAHRENDEN PROFISSION
OZ collet for chuck, 2 # 16 mm, Nominal clamping Ø d: 15mm

Order data

Order number	309540 15
GTIN	2050001704474
Item class	39Y

Description
Version:

Spring steel, through hardened and ground. The through bore (longer clamping range than DIN collets) increases the clamping force. More slits than DIN collets, giving a greater insertion depth in the collet chuck. Suitable for jobber drills, for clamping on the guide land **Clamping range = Nominal size down to minus 0.5 mm.** 5 or 6 slits each end.

Advantage:

- **Better radial run-out = axially parallel centring in taper; no tumbling.**
- **Higher clamping force = due to improved grip.**
- **Higher system stiffness = suitable for high-speed milling.**
- **Longer tool life.**

Technical description

Nominal clamping Ø d	15 mm
for chuck	2 - 16 mm
Product name attribute	2 # 16 mm
Standard	ISO 10897
Type	415 E
External Ø D	25.5 mm

Overall length L	40 mm
Type of product	Collet