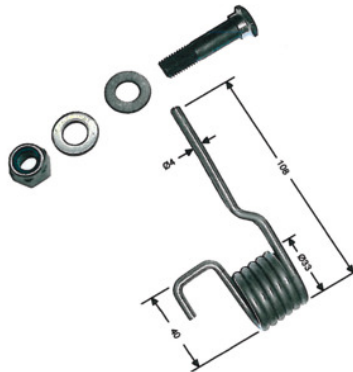


Pecklinghaus**Lever retaining spring, suitable for model: 1BR4/2****Order data**

Order number	769933 1BR4/2
GTIN	2050001931672
Item class	76L

Description**Suitable for:**

Hand-operated compound action shears No. 769930 current version. From 07/2007.

Technical description

suitable for model	1BR4/2
Type of product	Spring